

FREESTANDING TANK REQUEST FOR QUOTE SHEET

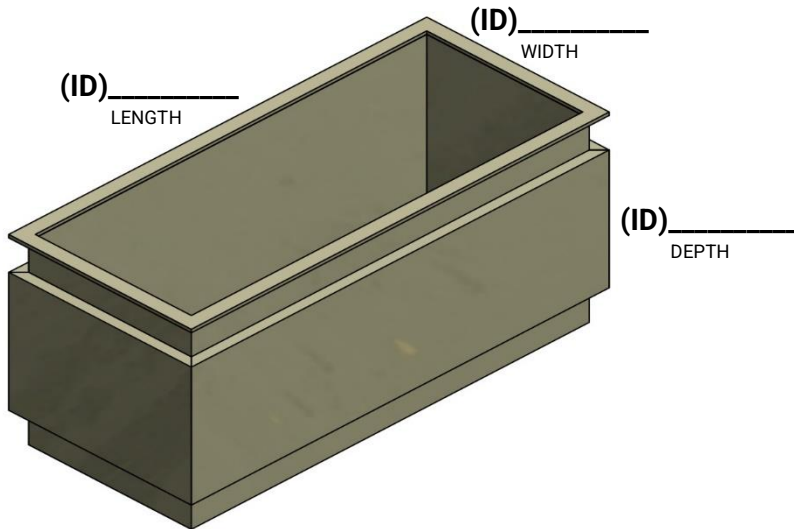
COMPANY NAME: _____ **TODAY'S DATE:** _____
ADDRESS: _____ **INCLUDE SHIPPING QUOTE?** YES NO
STREET ADDRESS CITY STATE ZIP CODE

CONTACT: _____ **EMAIL ADDRESS:** _____
OFFICE # _____ **CELL #** _____ **FAX #** _____

TANK APPLICATION: _____ **STORAGE:** INDOORS OUTDOORS **TOP:** OPEN-TOP CLOSED-TOP
TANK CHEMISTRY: _____ **PERCENTAGE:** _____ **OPERATING TEMPERATURE:** _____ AMBIENT

REQUIRED FITTINGS: INLET FITTING DRAIN FITTING OVERFLOW FITTING VENT OTHER _____ *Please list fittings below.*

TANK ACCESSORIES & ADD-ONS: *Please check all that are required or that you are interested in receiving pricing options for.*
 INTERNAL PIPING LEVEL SENSORS IMPACT PANEL HEATER PROTECTIVE PANEL REMOVABLE LID OTHER _____
 ELECTRICAL HEATER RECTIFIER CHILLER TOP RIM RACK BLOCKS



NOTES FOR THE DESIGN TEAM:

Please return this form to marshall@plasticweldingandfabrication.com when completed for a price quote.

PLASTIC WELDING & FABRICATION, LTD.

MAILING ADDRESS: 384 STORY DRIVE, BUDA, TEXAS 78610 | **SHIPPING ADDRESS:** 2457 S. LOOP 4, BLDG. 4, BUDA, TEXAS 78610

OFFICE: +1 (512) 295-6412 | **FAX:** +1 (512) 295-7694

ONLINE AT: WWW.PLASTICWELDINGANDFABRICATION.COM