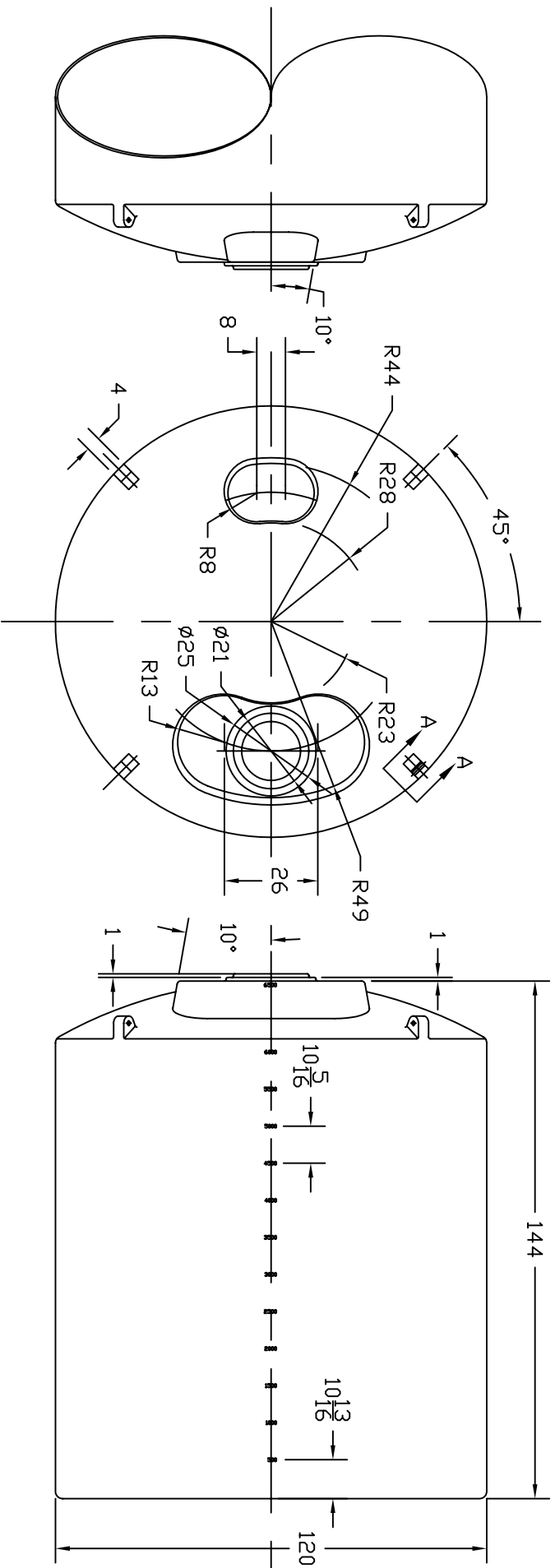


REVISIONS				
ZONE	REV	DESCRIPTION	DATE	APPROVED



VIEW A-A
1/8 SCALE

		ST. BONIFACIUS, MN 6500 GALLON VERTICAL STORAGE TANK X 120 DIA	
JTP	22AUG05	SIZE	DWG NO.
B	FSCM NO.	SCALE	1/32
			SHEET